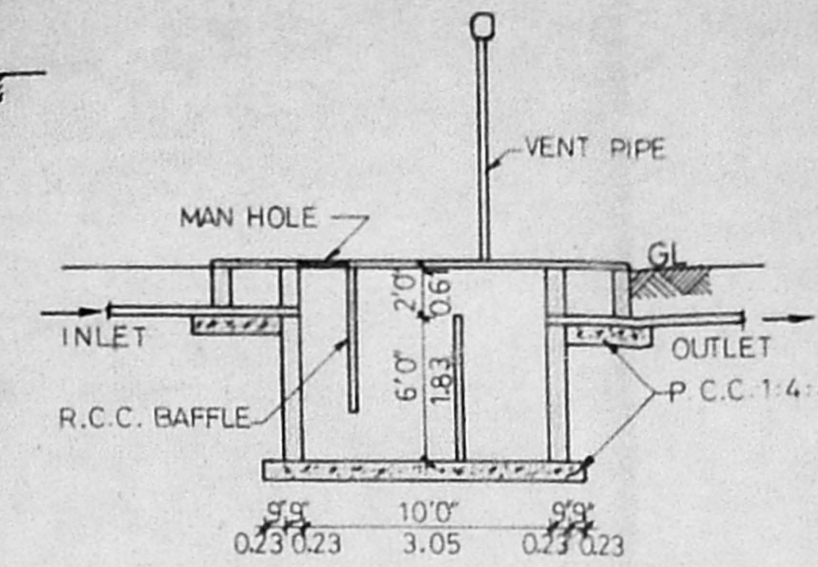
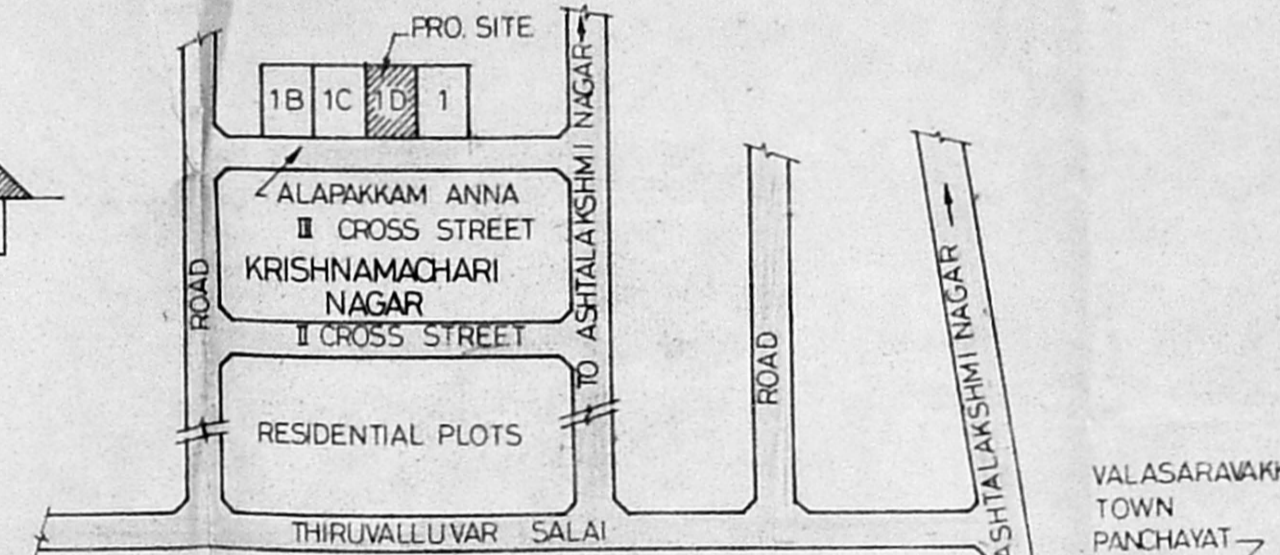


SECTION OF WELL
SCALE: 1" = 8' 0"



DETAILS OF SEPTIC TANK
SCALE: 1" = 8' 0"

Planning Permit No. A/1865/92
APPROVED
SUBJECT TO THE CONDITIONS IN THIS OFFICE LETTER.
No. A2/1839/92 Date 11/92
FOR MEMBER SECRETARY
MADRAS METROPOLITAN
DEVELOPMENT AUTHORITY
MADRAS - 600 003



KEY PLAN (NOT TO SCALE)

- SPECIFICATIONS**
- FOUNDATION BED SHALL BE OF P.C.C. 1:4:8 OVER 6" THICK SAND
 - FOUNDATION FOOTINGS SHALL BE OF BRICK WORK IN C.M. 1:5
 - PLINTH SHALL BE OF BRICK WORK IN C.M. 1:5, 2' 0" HIGH
 - MOSAIC FLOORING WITH GREY MOSAIC TILES
 - SUPERSTRUCTURE SHALL BE OF BRICK WORK IN C.M. 1:5
 - ALL THE WALLS SHALL BE PLASTERED WITH C.M. 1:5 AND SHALL BE TREATED WITH WHITE / COLOUR WASH
 - ROOF SLAB SHALL BE OF R.C.C. 1:2:4, 4 1/2" THICK
 - WEATHERING COURSE SHALL BE PROVIDED WITH ONE LAYER OF FLAT TILES POINTED IN C.M. 1:3
 - PAINTING SHALL BE DONE WITH ENAMEL PAINT.

JOINERY DETAILS

D	DOOR	3'6" X 6'6" (1.07 X 1.98)
D1	-DO-	3'0" X 6'6" (0.91 X 1.98)
D2	DOOR	2'6" X 6'6" (0.76 X 1.98)
W	WINDOW	5'0" X 4'0" (1.52 X 1.22)
W1	-DO-	3'0" X 4'0" (0.91 X 1.22)
W2	-DO-	5'0" X 3'0" (1.52 X 0.91)
V	VENTILATOR	3'0" X 2'0" (0.91 X 0.61)
O	OPENING	3'0" X 6'6" (0.91 X 1.98)

AREA STATEMENT

AREA OF THE PLOT - 3060 SQ. FT. (284.39 SQ. M.)
 AREA OF THE PROPOSED GROUND FLOOR - 1640 SQ. FT. (154.21 SQ. M.)
 AREA OF THE PROPOSED FIRST FLOOR - 1640 SQ. FT. (154.21 SQ. M.)

COLOUR INDEX

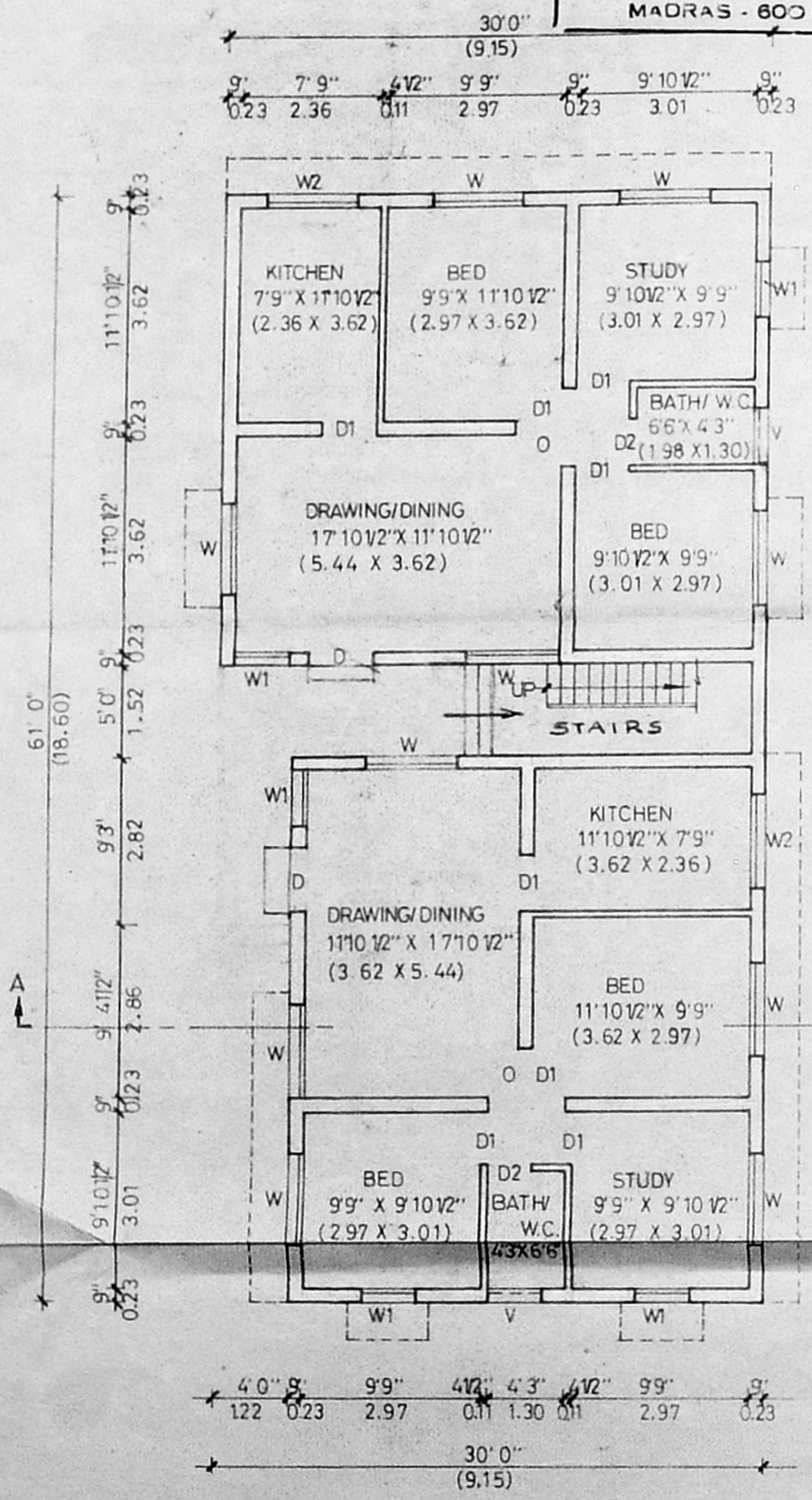
PROPOSED SHOWN THUS - []
 BOUNDARY SHOWN THUS - []
 ROAD SHOWN THUS - []

PROPOSED DWELLING HOUSE AT PLOT NO. 1D, (S.NO. 418/3 & 419/1B, P.T.) ALAPAKKAM ANNA III CROSS STREET, KRISHNAMACHARI NAGAR, MADURAVOYAL VILLAGE, SAIDAPET TALUK, CHENGAI M.G.R. DISTRICT.

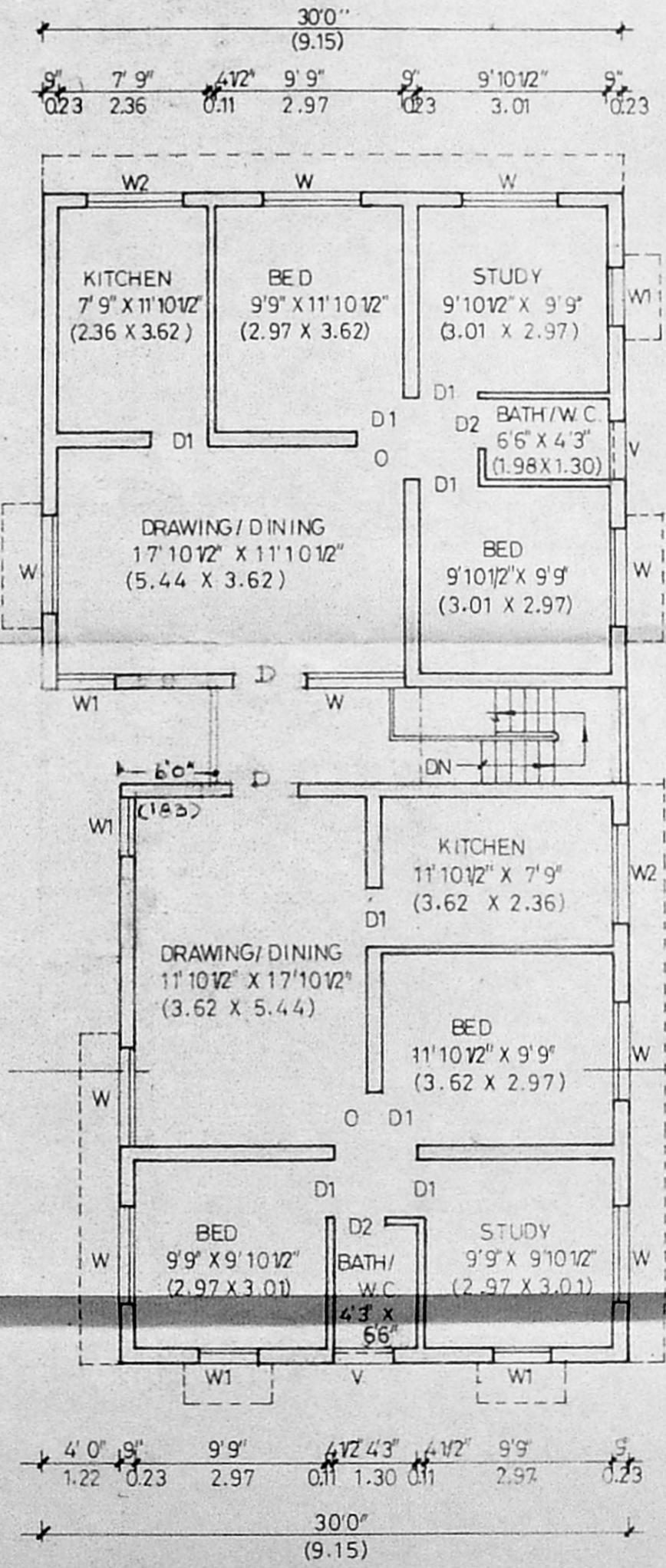
SCALE: 1" = 8' 0"

For JB COMPANY
V. Shanmugan
Partners

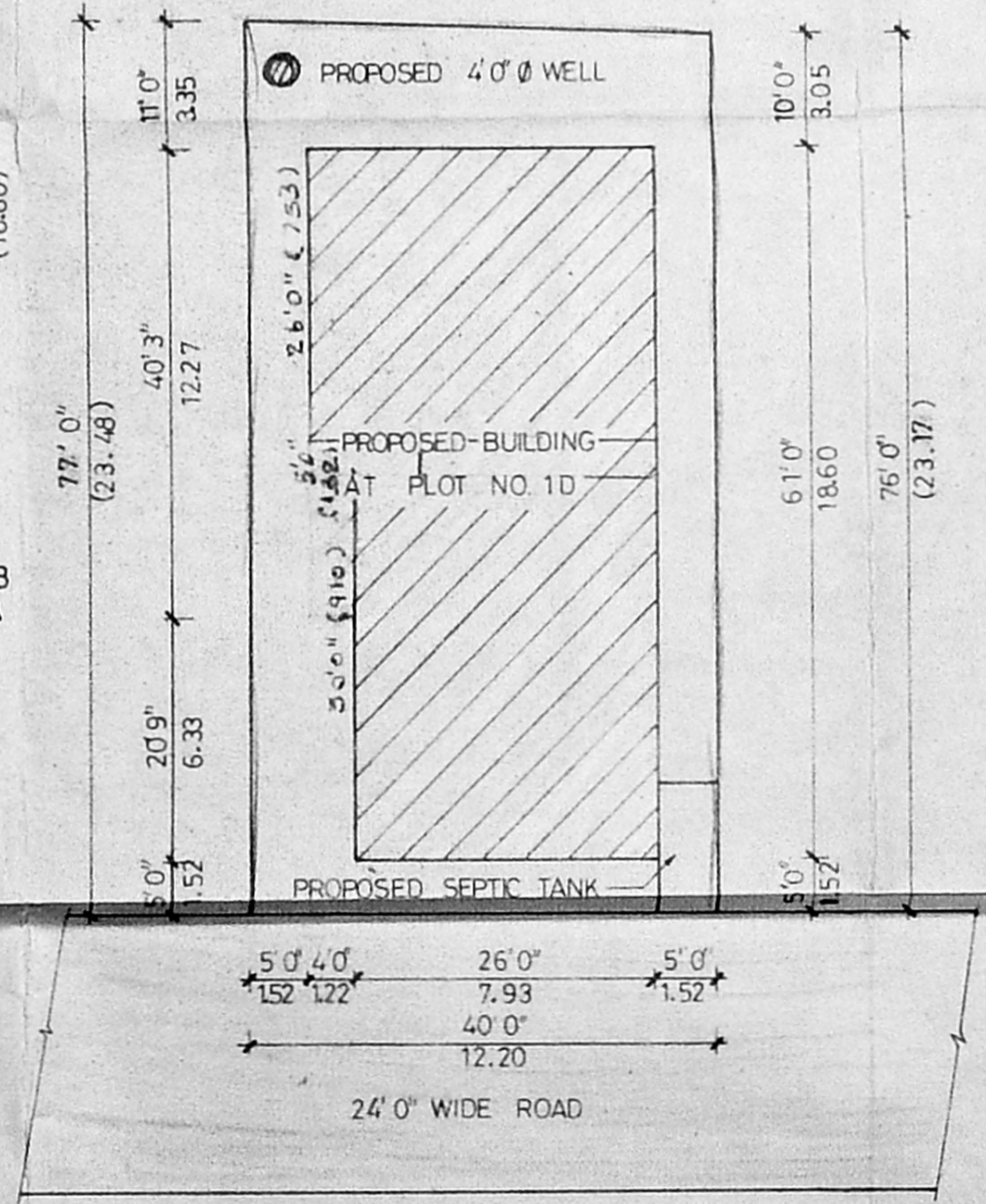
OWNER
D. SENTHILAKSHMI, BE., M.T.E.
CHARTERED ENGINEER & CONSULTANT
LICENSED SURVEYOR CLASS - 197
15, 1 Block 31, St. John's Road, Madurai
Ph: 855802
LICENSED SURVEYOR



PLAN OF THE PROPOSED GROUND FLOOR



PLAN OF THE PROPOSED FIRST FLOOR



SITE PLAN SCALE: 1" = 16' 0"